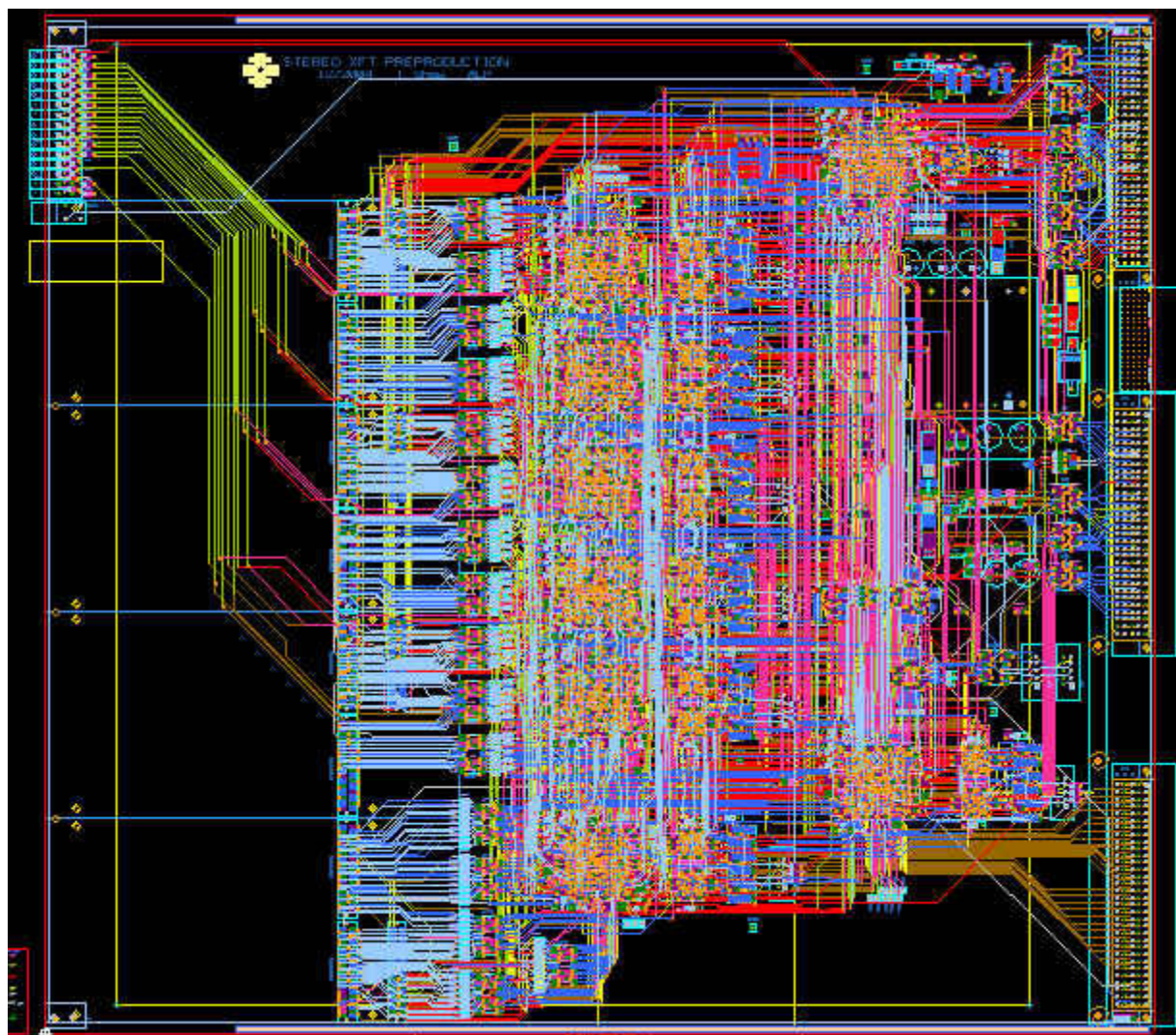




XFT Stereo Layout

XFT
Upgrade

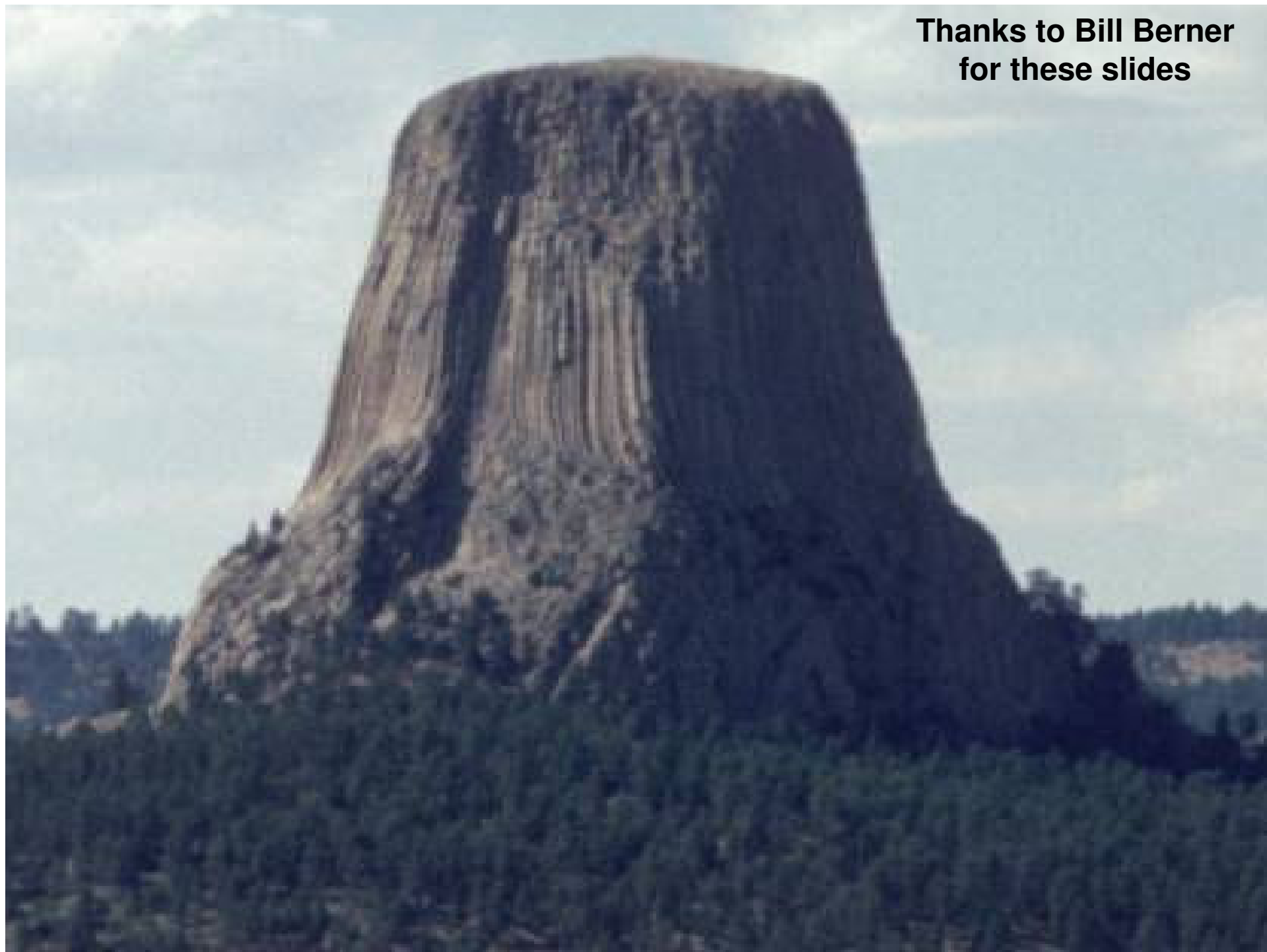


Printed Circuit Board Layout

Lines are signal traces
in 16 layers:
8 signal
8 ground

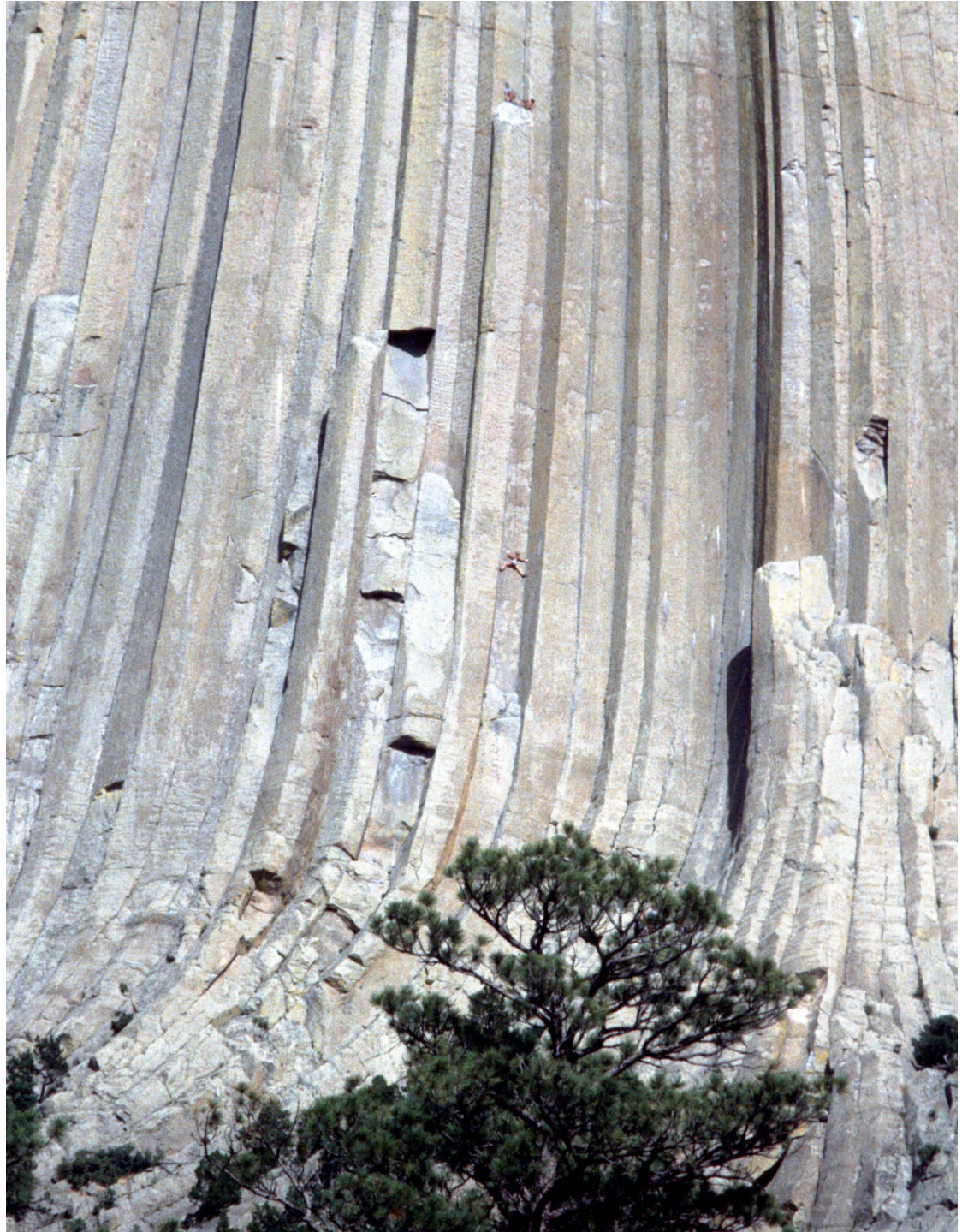
Why do you think it
is important to have a
ground plane separating
each two signal planes?

**Thanks to Bill Berner
for these slides**

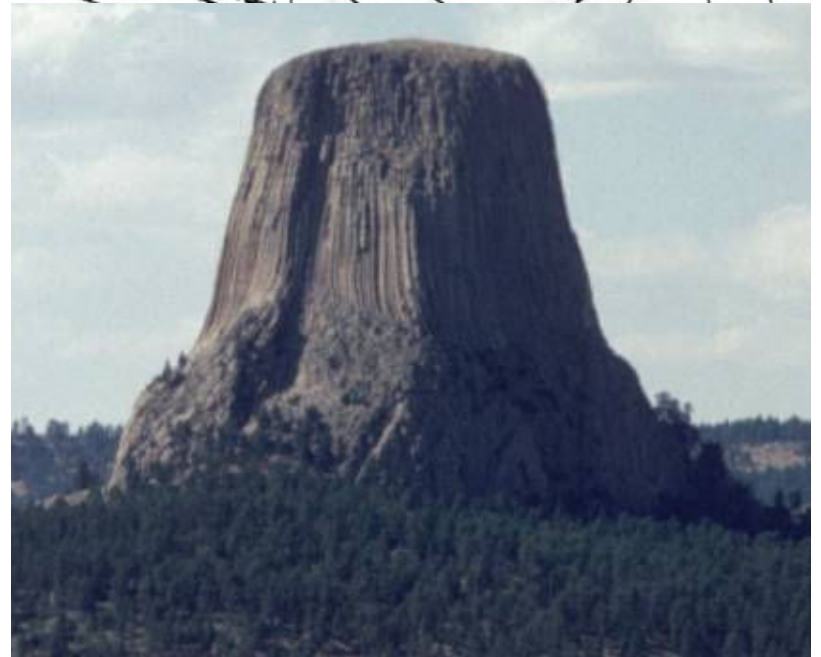
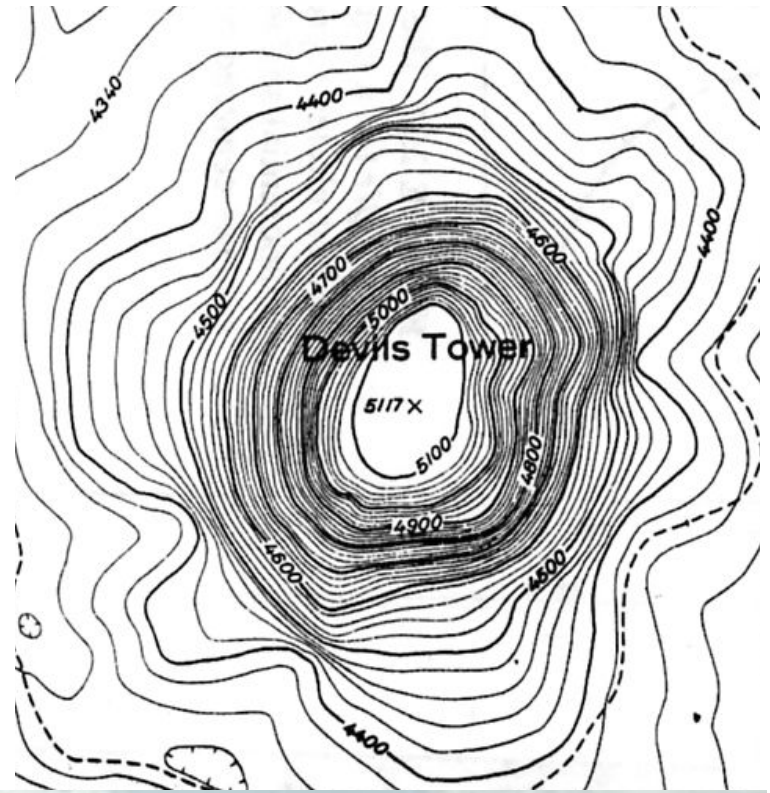
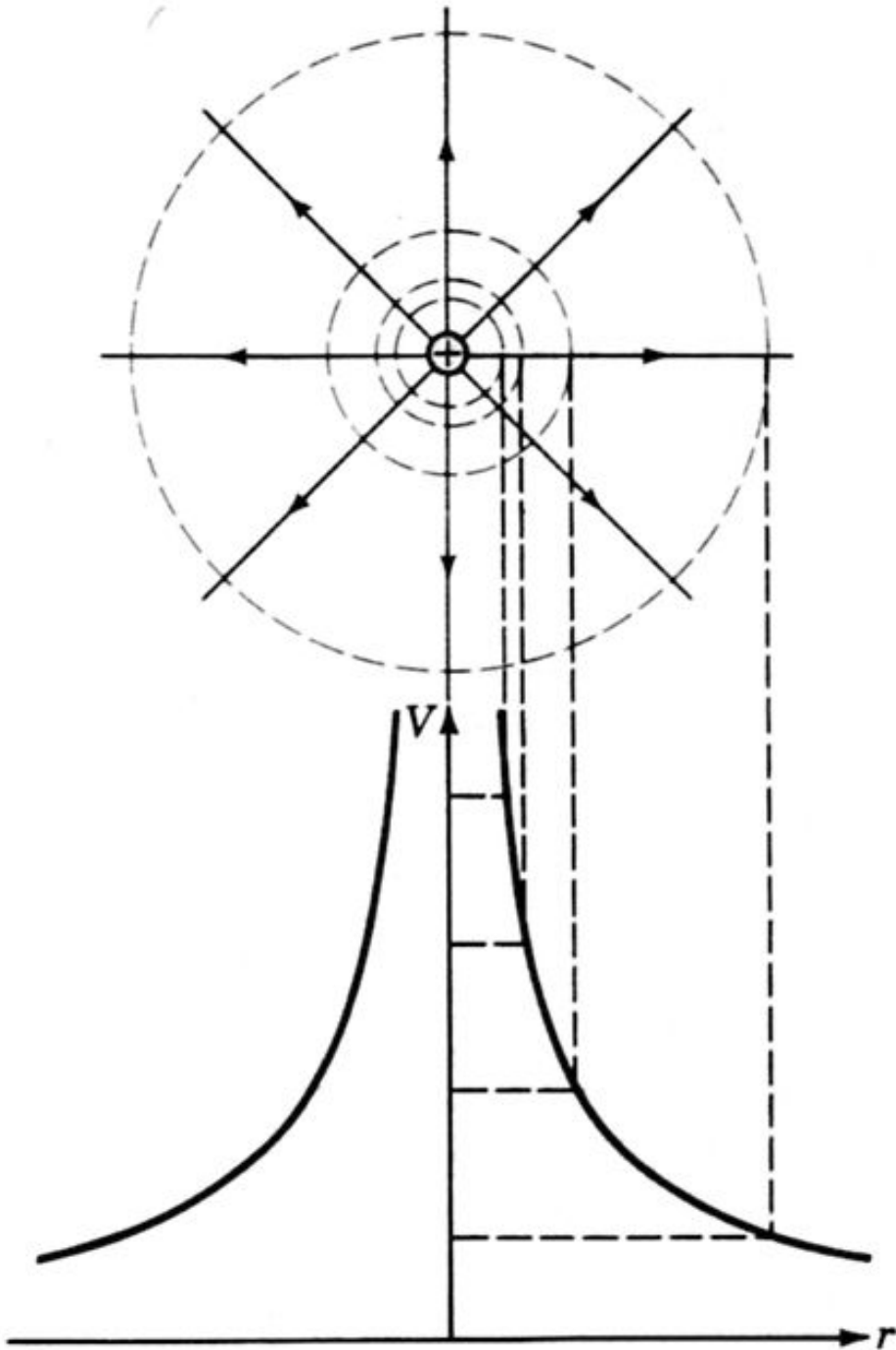


Devil's Tower,
Wyoming

Climb: El Matador
5.11







Equipotential Lines Around an Electric Charge

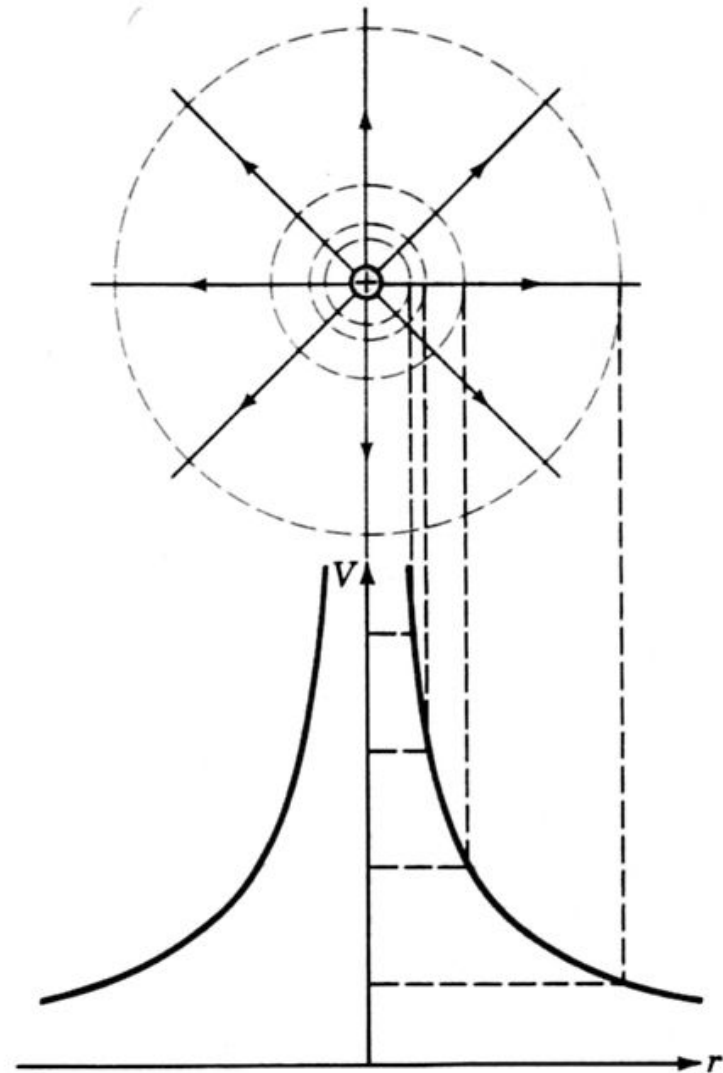


FIGURE 25.8 The potential function $V = kQ/r$ for a point charge. The dashed circles represent the equipotential surfaces (which are spheres centered on the charge).

The Electric Potential of Two Equal Positive Charges

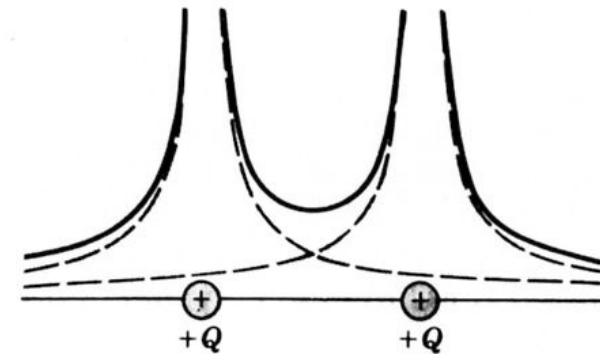
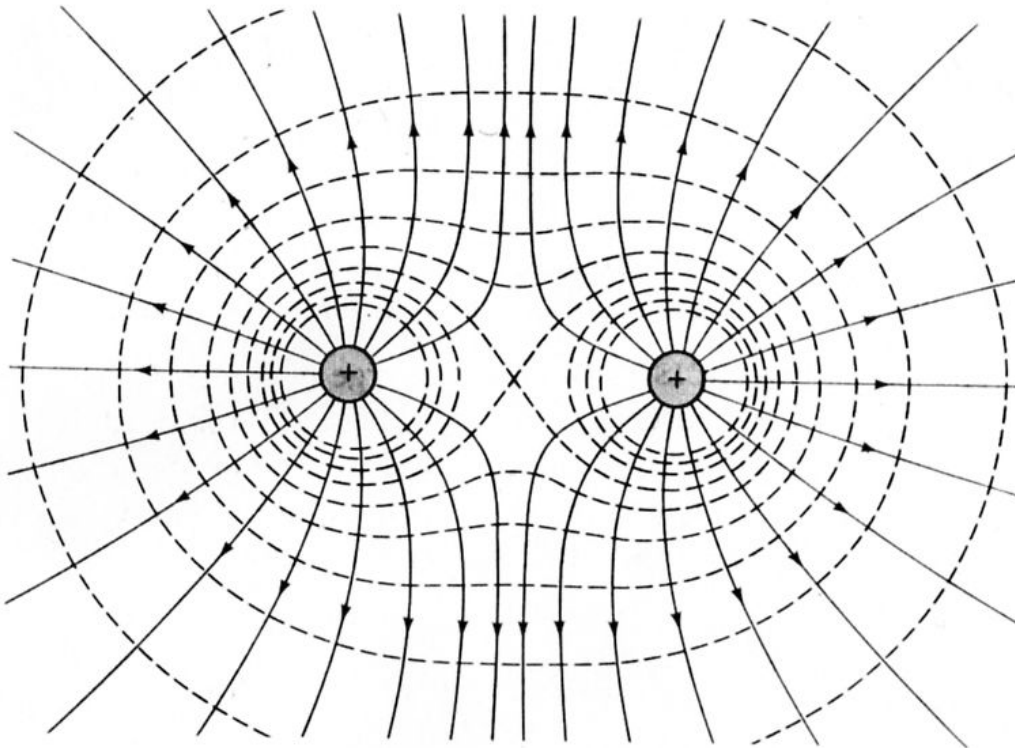


FIGURE 25.12 The dashed lines are the potentials due to each of two equal positive charges. The solid lines show the total potential.

The Electric Potential of Two Equal But Opposite Charges

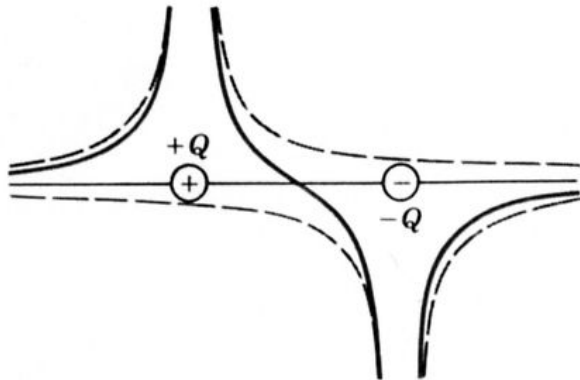


FIGURE 25.9 The dashed lines are the potentials due to each of two equal and opposite charges. The solid lines show the total potential.

